



全漢企業股份有限公司
FSP TECHNOLOGY INC.

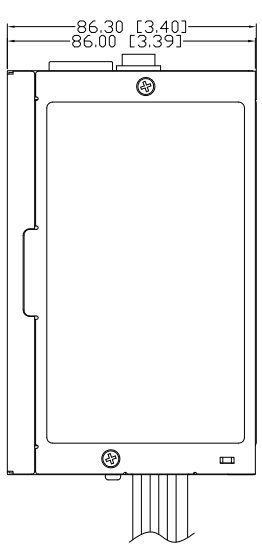
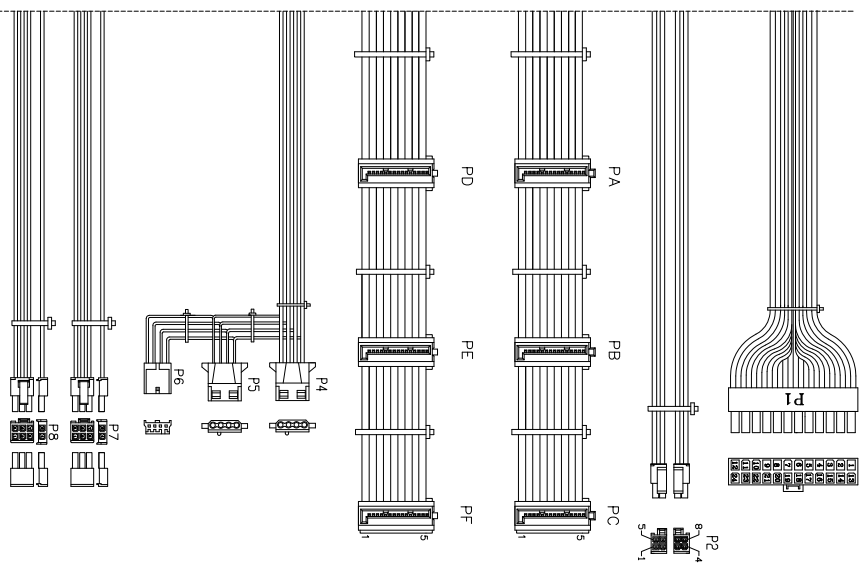
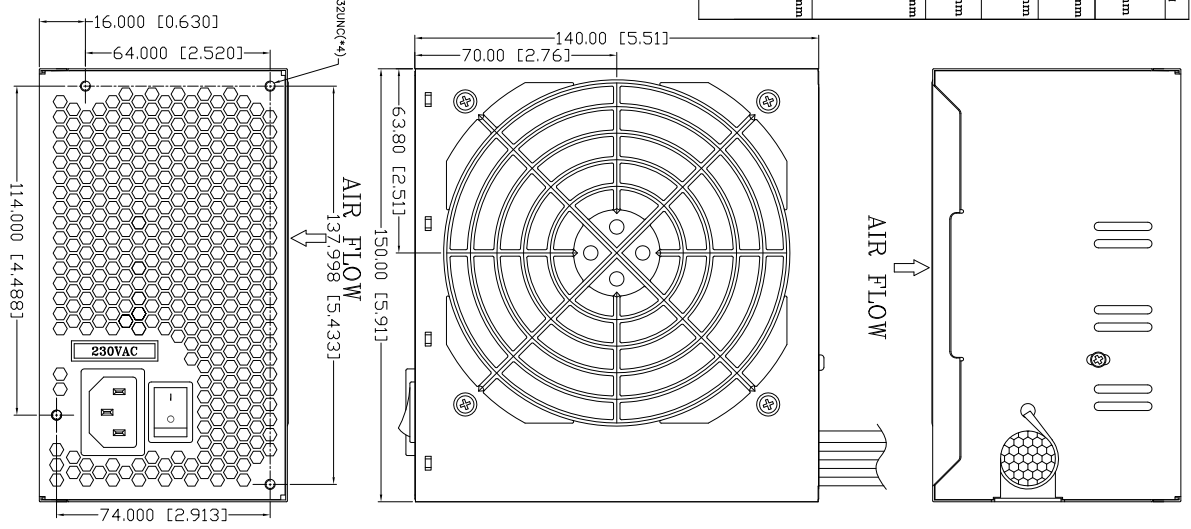
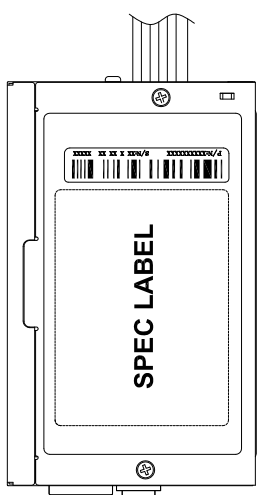
台灣桃園市建國東路22號 統一編號：84239055
No. 22, Jianguo East Road., Taoyuan City, Taiwan, R.O.C.
TEL:+886-3-375-9888 Website : www.FSP-group.com
FAX:+886-3-375-6966 Email : sales@fsp-group.com.tw

MECHANICAL DRAWING



Released Date:2015/02/04-15:40:09

REF. ID.	PIN NO.	SIGNAL	WIRE COLOR	GAUGE	CONNECTOR TYPE	CABLE LENGTH	
P1	1	+3.2VDC	ORANGE	18	MOLEX 450 ±0.8 mm		
	2	+3.2VDC	BLACK	18			
	3	+5VDC	RED	18			
	4	+5VDC	RED	18			
	5	COM	BLACK	18			
	6	+5VDC	RED	18			
	7	COM	BLACK	18			
	8	PM-ON	GRAY	24			
	9	+5Vdc	PURPLE	18			
	10	+12V1	YELLOW	18			
	11	+12V1	YELLOW	18			
	12	+3.2VDC	ORANGE	18			
	13	+3.2VDC	BLACK	18			
	14	+3.2VDC	RED	18			
	15	COM	GREEN	24			
	16	PS-ON	GREEN	24			
	17	COM	BLACK	18			
	18	COM	BLACK	18			
	19	COM	BLACK	18			
	20						
	21	+5VDC	RED	18			
	22	+5VDC	RED	18			
	24	COM	BLACK	18			
	P2	1	COM	BLACK			18
2		COM	BLACK	18			
3		COM	BLACK	18			
4		COM	BLACK	18			
P3	1	+12V2	YEL./BLACK	18	MOLEX 450 ±0.8 mm		
	2	+12V2	YEL./BLACK	18			
	3	+12V2	YEL./BLACK	18			
	4	+12V2	YEL./BLACK	18			
P4	1	+3.2V	ORANGE	18	MOLEX 450 ±0.8 mm		
	2	COM	BLACK	18			
	3	+5V	RED	18			
	4	COM	BLACK	18			
P5	1	+12V1	YELLOW	18	MOLEX 450 ±0.8 mm		
	2	COM	BLACK	18			
	3	+5V	RED	18			
	4	+5V	RED	18			
P6	1	COM	BLACK	22	MOLEX 150±1.0mm		
	2	COM	BLACK	22			
	3	COM	BLACK	22			
	4	+5V	RED	22			
P7	1	+12V4	YEL./WHITE	18	MOLEX 450 ±0.8 mm		
	2	+12V4	YEL./WHITE	18			
	3	+12V4	YEL./WHITE	18			
	4	+12V4	YEL./WHITE	18			
P8	1	COM	BLACK	18	MOLEX 450 ±0.8 mm		
	2	+12V4	YEL./WHITE	18			
	3	COM	BLACK	18			
	4	COM	BLACK	18			
	5	COM	BLACK	18			
	6	COM	BLACK	18			
	7	COM	BLACK	18			
	8	COM	BLACK	18			



- NOTE:
1. ALL THE LENGTH OF OUTPUT WIRES EXCLUDE HOUSING.
 2. 產地標籤依業務指示加貼.
 3. 公差: .XX=±0.5 [0.02]、.XXX=±0.25 [0.01].

UNIT:mm

P/N.:9PA6007702

MODEL NO. : ATX600PNR-1(F88002)	TITLE: ASSY	SHEET: 1 OF 1	REV:01
R&D	PE	DRAWN	DATE
INTERIOR COUNTERSIGN:			2/4/2015

Mechanical Drawing(外觀/機構圖) 表單編號7000P-0111